



Alfa Laval GL50 / GLN50

Gas to liquid plate heat exchanger

GL50 is a high-efficiency compact brazed stainless steel heat exchanger designed to handle asymmetrical flows with exceptionally high performance.

GL50's patented plate design enables it to handle extremely high gas temperatures without thermal fatigue with sufficient cooling liquid. This makes GL50 superior as a high-temperature exhaust gas heat exchanger, as well as in all types of condensation applications.

The product's compact size, versatility and excellent heat transfer makes it a perfect choice for a wide range of asymmetrical heat transfer applications. GL50 in single configuration is suitable for max. 250 kg/h gas.



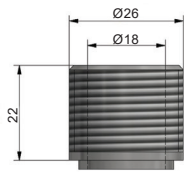
Technical Data

Side (A) "High density":	Water / Liquid / High pressure gas
Side (B) "Low density":	Gas / Steam
Plate material:	ASTM 316L / DIN 1.4404 / SS2348
Connections / Cover plates:	ASTM 304 / DIN 1.4301 / SS2333
Brazing material:	Copper (Cu) or Nickel (Ni)
Operating temperature:	Side A: -160°C to +190°C
	Side B: XXX°C (limited by max plate temperature of 190°C)
Operating absolute pressure at	
-160/25/190°C:	Side A, Copper (Cu): 0/16/12 bar(a); 0/232/174 psi(a)
	Side A, Nickel (Ni): 0/9.2/7 bar(a); 0/133/102 psi(a)
	Side B: 0.5-1.5 bar(a) / 7-21 psi(a)
	For higher pressure see datasheet GLH50
Prim. heat transfer surface/plate:	≈ 3.9 dm ²
Manufacturing standard:	EN13445-3
PED Side A:	In conformance with 2014/68/EU
	Fluid Group: 1 & 2

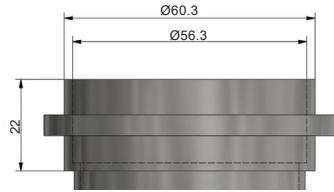
Standard Connections and Versions for GL50

For configuration options see the product description Configuration options for Alfa Laval GL.

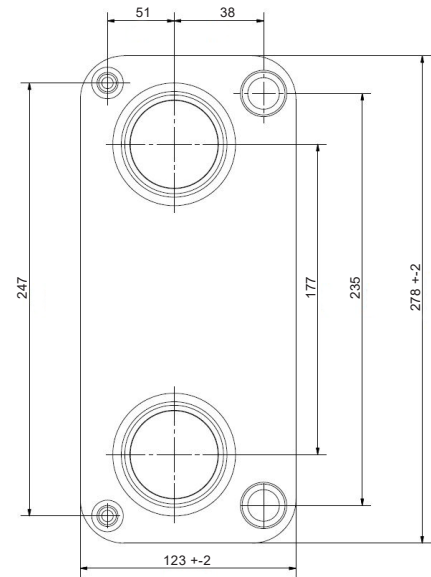
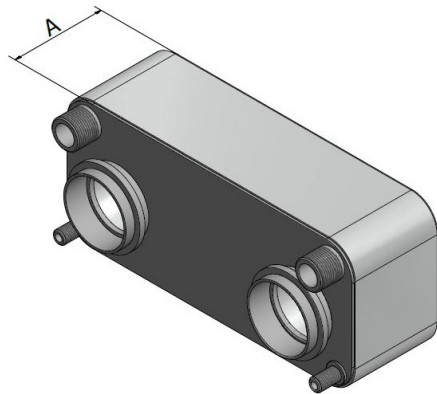
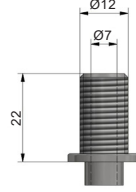
Side A
G 0.75



Side B
DN 50



Condensate
G 0.25



Brazing material	Item No.	Item name	Number of plates	Connection	Height (mm)		Weight empty ≈kg	Volume (l)	
					A	Tolerances		Side A	Side B
Cu	ALEA514010	GL50-10AM-F	10	DN50-G0.75	43.5	±2.0	2.4	0.4	0.8
	ALEA514001	GL50-20AM-F	20	DN50-G0.75	83.0	±2.0	3.4	0.9	1.5
	ALEA514002	GL50-30AM-F	30	DN50-G0.75	122.5	±2.5	4.5	1.3	2.0
	ALEA514003	GL50-40AM-F	40	DN50-G0.75	162.0	±3.0	5.5	1.8	3.0
	ALEA514004	GL50-60AM-F	60	DN50-G0.75	241.0	±3.5	7.6	2.7	4.5
	ALEA514005	GL50-80AM-F	80	DN50-G0.75	320.0	±4.0	9.7	3.6	6.0
Ni	ALEA513010	GLN50-10AM-F	10	DN50-G0.75	43.5	±2.0	2.4	0.4	0.8
	ALEA513001	GLN50-20AM-F	20	DN50-G0.75	83.0	±2.0	3.4	0.9	1.5
	ALEA513002	GLN50-30AM-F	30	DN50-G0.75	122.5	±2.5	4.5	1.3	2.4
	ALEA513003	GLN50-40AM-F	40	DN50-G0.75	162.0	±3.0	5.5	1.8	3.0
	ALEA513004	GLN50-60AM-F	60	DN50-G0.75	241.0	±3.5	7.6	2.7	4.5
	ALEA513005	GLN50-80AM-F	80	DN50-G0.75	320.0	±4.0	9.7	3.5	6.0

This document and its contents are subject to copyrights and other intellectual property rights owned by Alfa Laval Corporate AB. No part of this document may be copied, re-produced or transmitted in any form or by any means, or for any purpose, without Alfa Laval Corporate AB's prior express written permission. Information and services provided in this document are made as a benefit and service to the user, and no representations or warranties are made about the accuracy or suitability of this information and these services for any purpose. All rights are reserved.

100001236 -1-EN

© Alfa Laval Corporate AB

How to contact Alfa Laval

Up-to-date Alfa Laval contact details for all countries are always available on our website at www.alfalaval.com